

Safety precaution

In regard with component parts appearing on the silk-screen printed side (parts side) of the PWB diagrams, the parts that are printed over with black such as the resistor (—■—), diode (—■) and ICP (●) or identified by the "△" mark nearby are critical for safety. When replacing them, be sure to use the parts of the same type and rating as specified by the manufacturer. (Except the JC version)

For this service manual

This service manual is a service manual of the model which changes a part of specification of the above-mentioned model which has already been put on the market.

< When the label in figure is pasted in the main body >

The specification is different from what the label of the same model does not paste because of the specification improvement, and refer to this service manual, please.

Please already refer to the issued service manual when the label is not pasted.

■ サービスをされる方へ
サービスマニュアルは該当モデルの(MK2)を参照してください。

■ Used only service dealer

Please refer to service manual of an applicable model [MK2].

GN30044-001A

* Please refer to this service manual for the model to which this label is pasted.

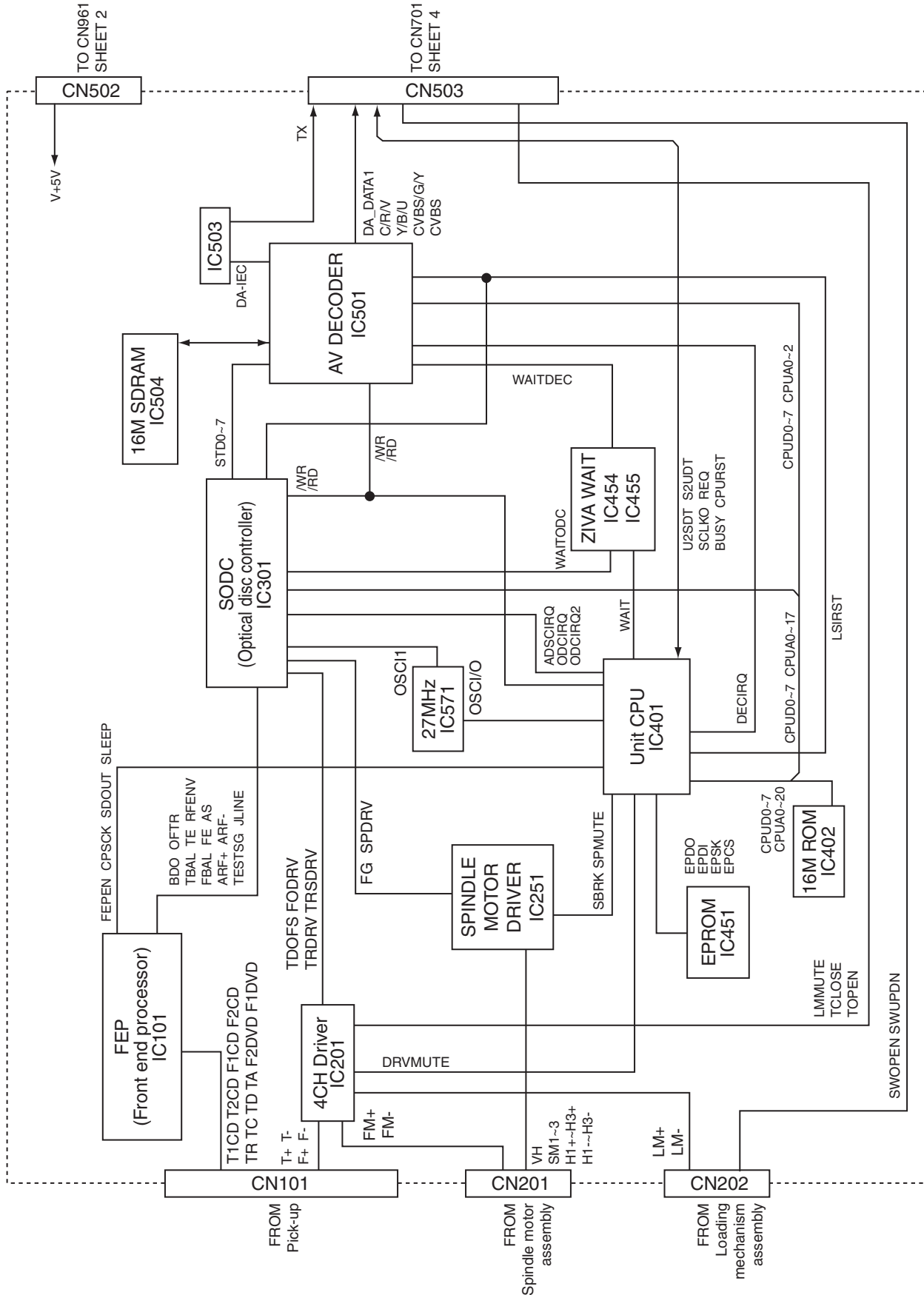
* Please refer to the service manual which has already been issued for the model to which this label is not pasted.

(one that there is no description named [MK2] in cover of service manual)

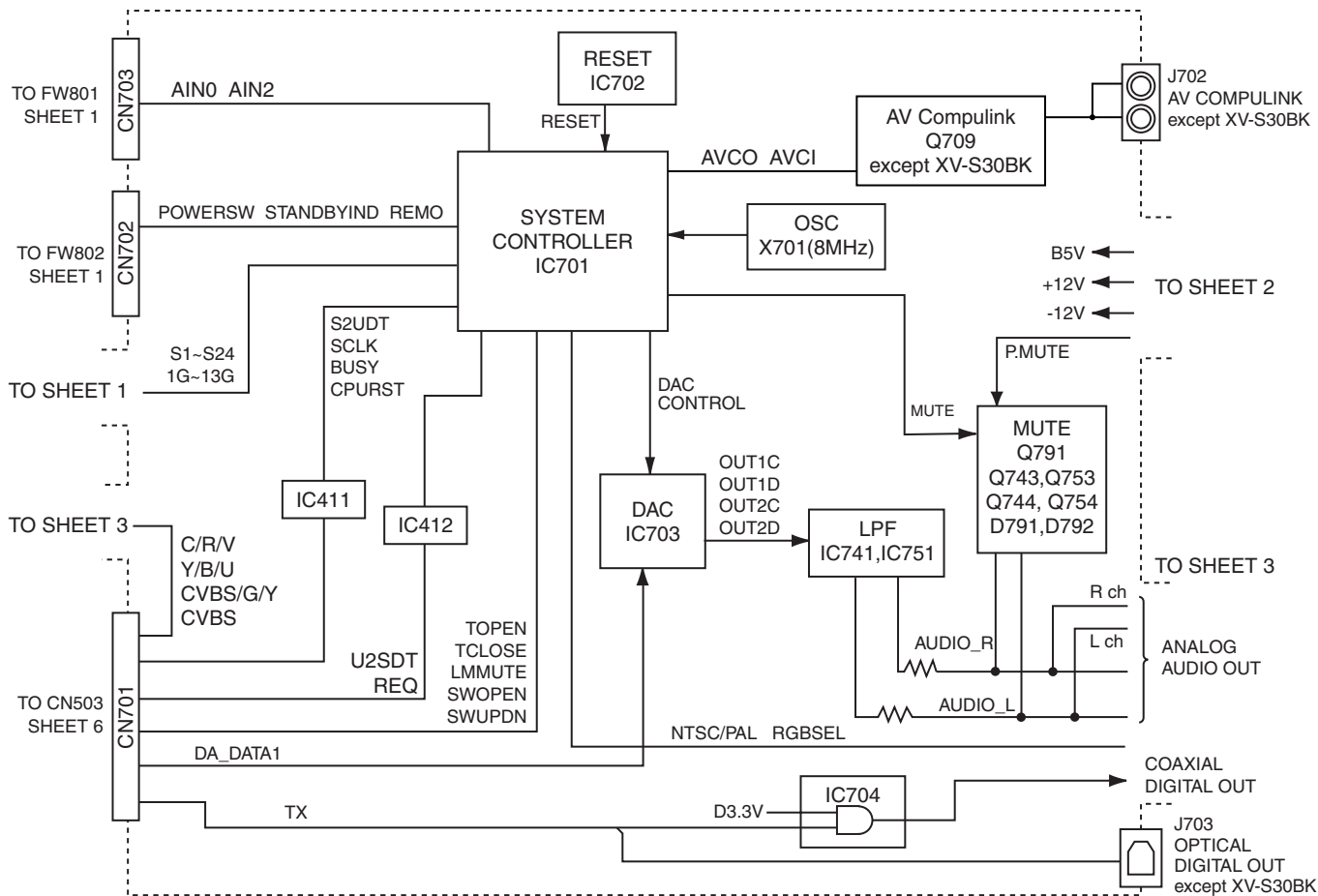


Block diagrams

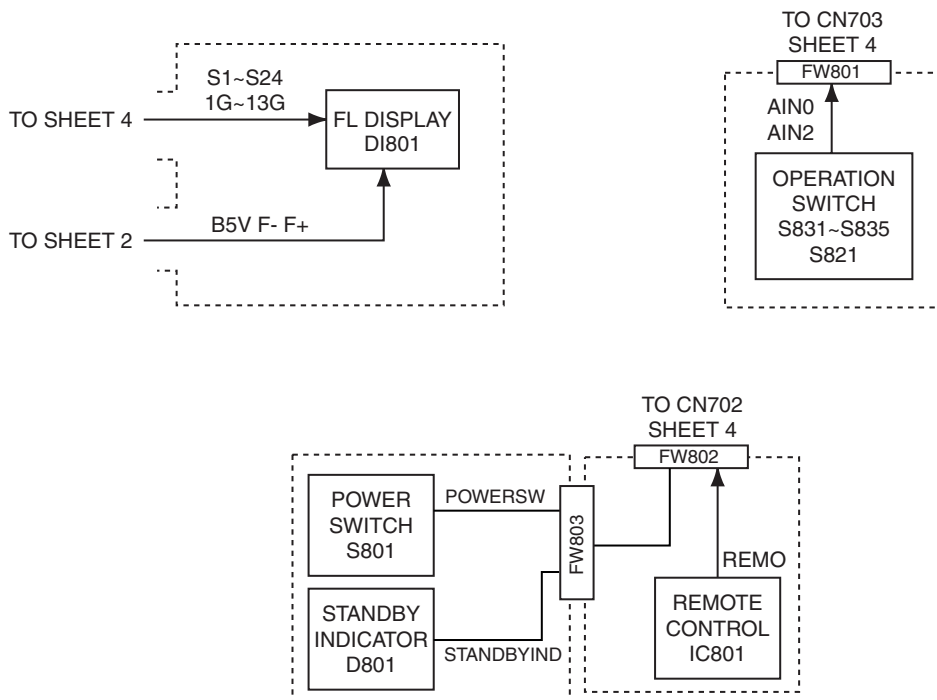
■ DVD Servo control & AV decoder section (SHEET 5,6)



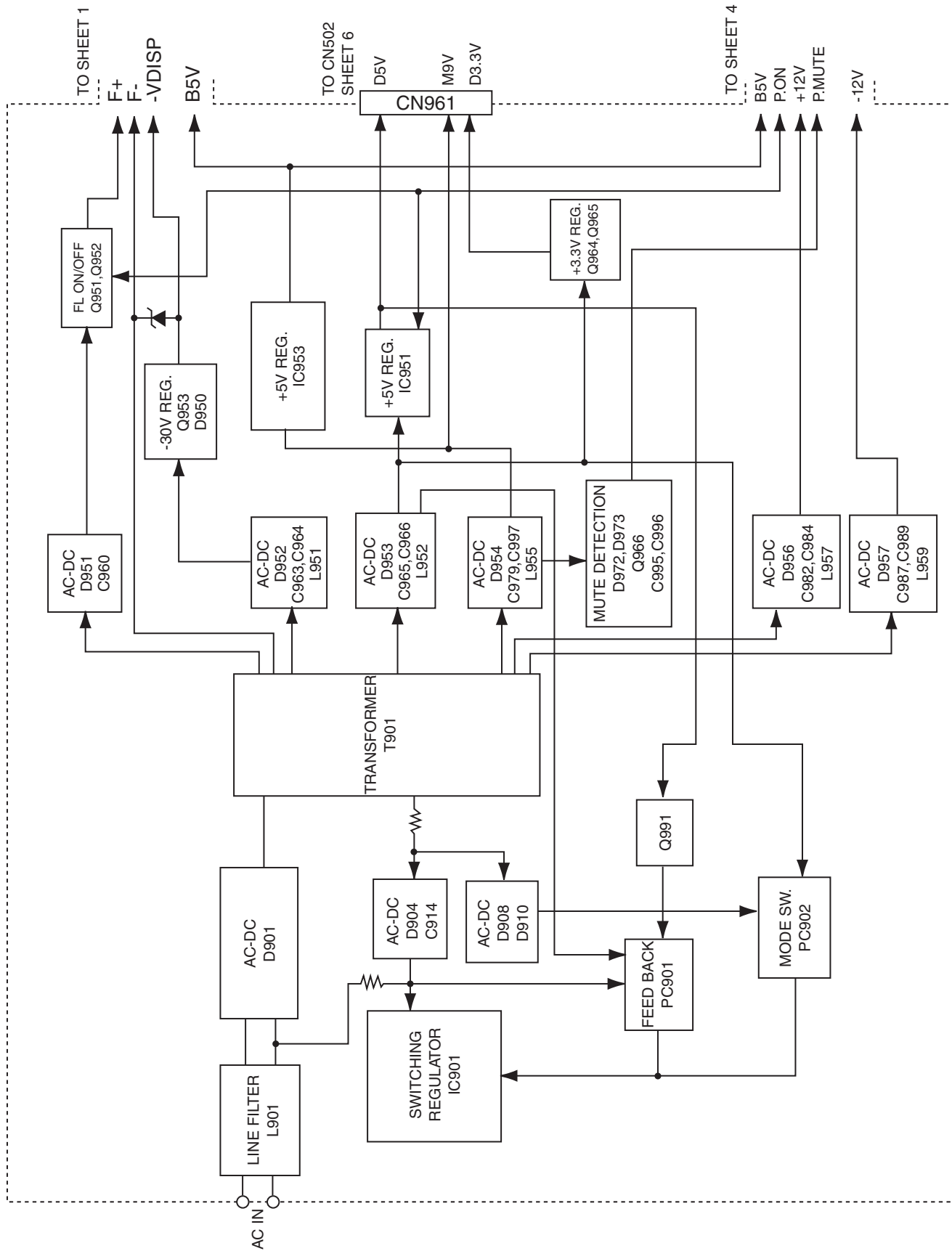
■ System control & audio output section (SHEET 4)



■ FL Display & Operation switch section (SHEET 1)

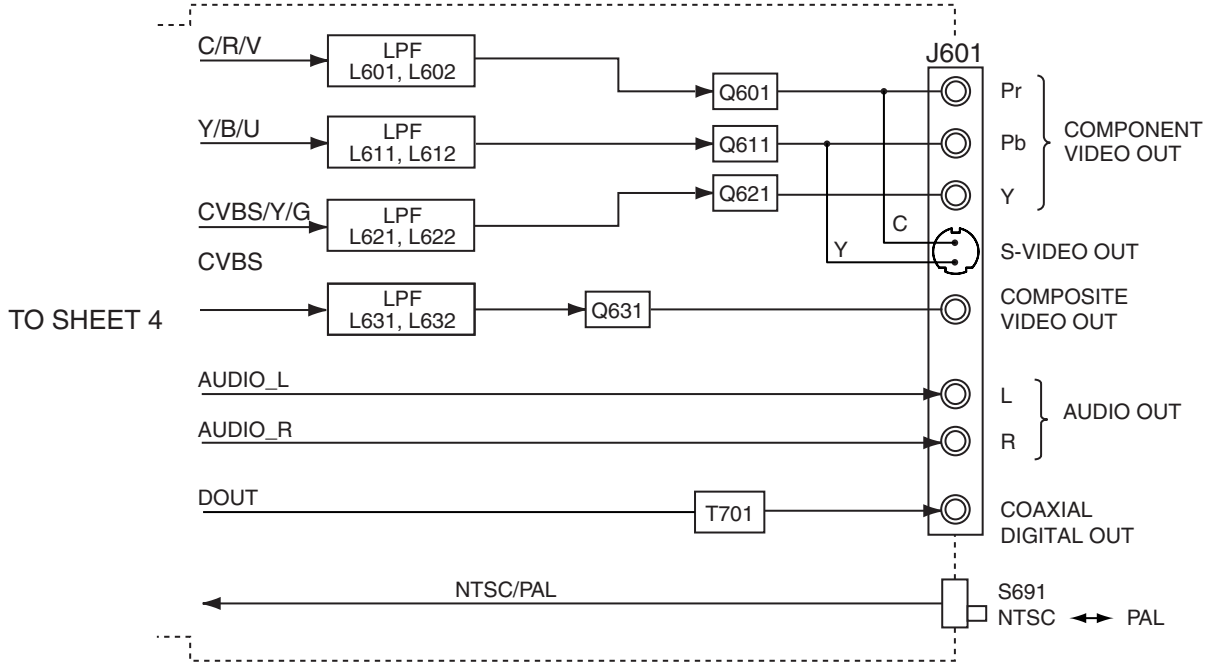


■ DC Regulator section (SHEET 2)

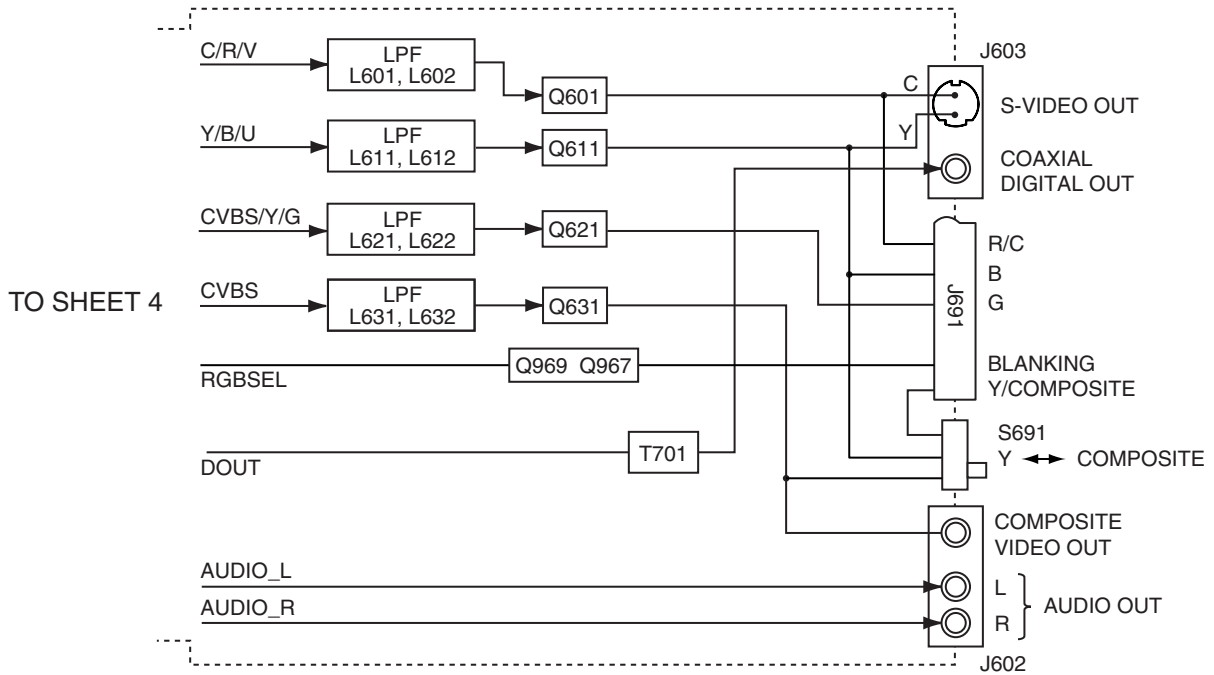


■ Audio & Video signal output section (SHEET 3)

< For except Europe >

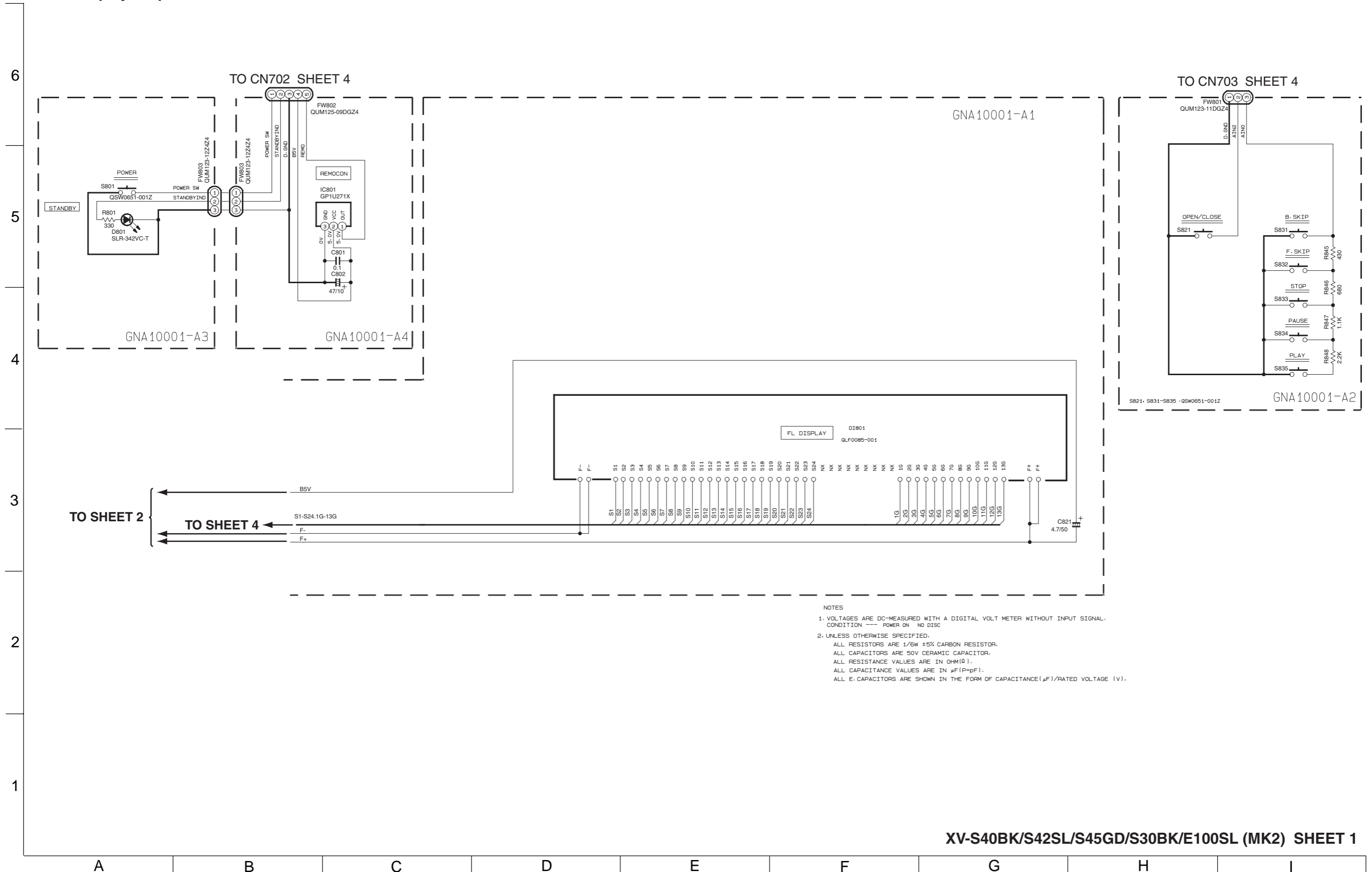


< For only Europe >

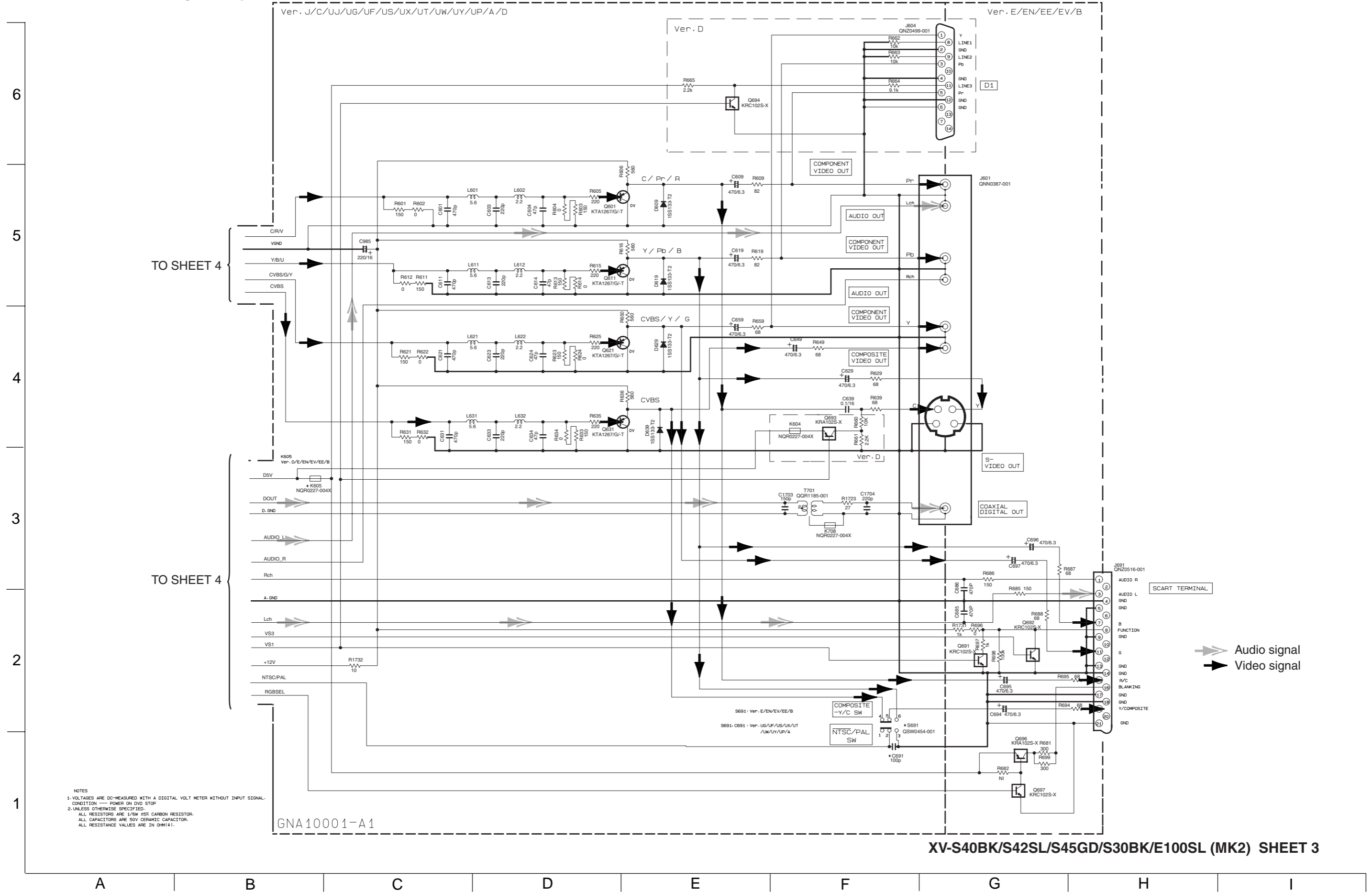


Standard schematic diagrams

FL Display & operation switch section



■ Audio / video signal output section

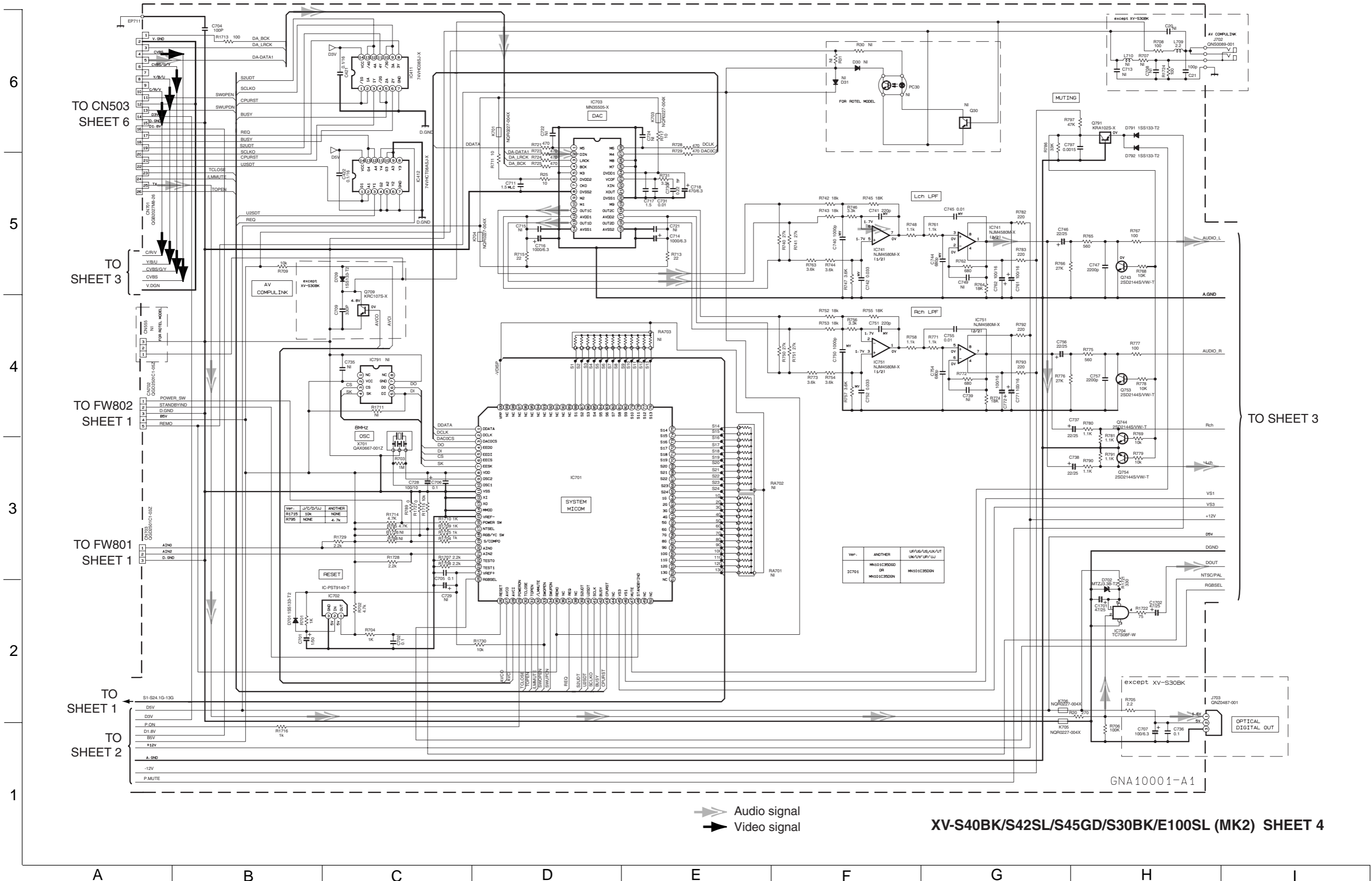


NOTES
1. VOLTAGES ARE DC-MEASURED WITH A DIGITAL VOLT METER WITHOUT INPUT SIGNAL.
CONDITION — POWER ON DVD STOP
2. UNLESS OTHERWISE SPECIFIED,
ALL RESISTORS ARE 1/6W ±5% CARBON RESISTOR.
ALL CAPACITORS ARE 50V CERAMIC CAPACITOR.
ALL RESISTANCE VALUES ARE IN OHM(S).

GNA10001-A1

XV-S40BK/S42SL/S45GD/S30BK/E100SL (MK2) SHEET 3

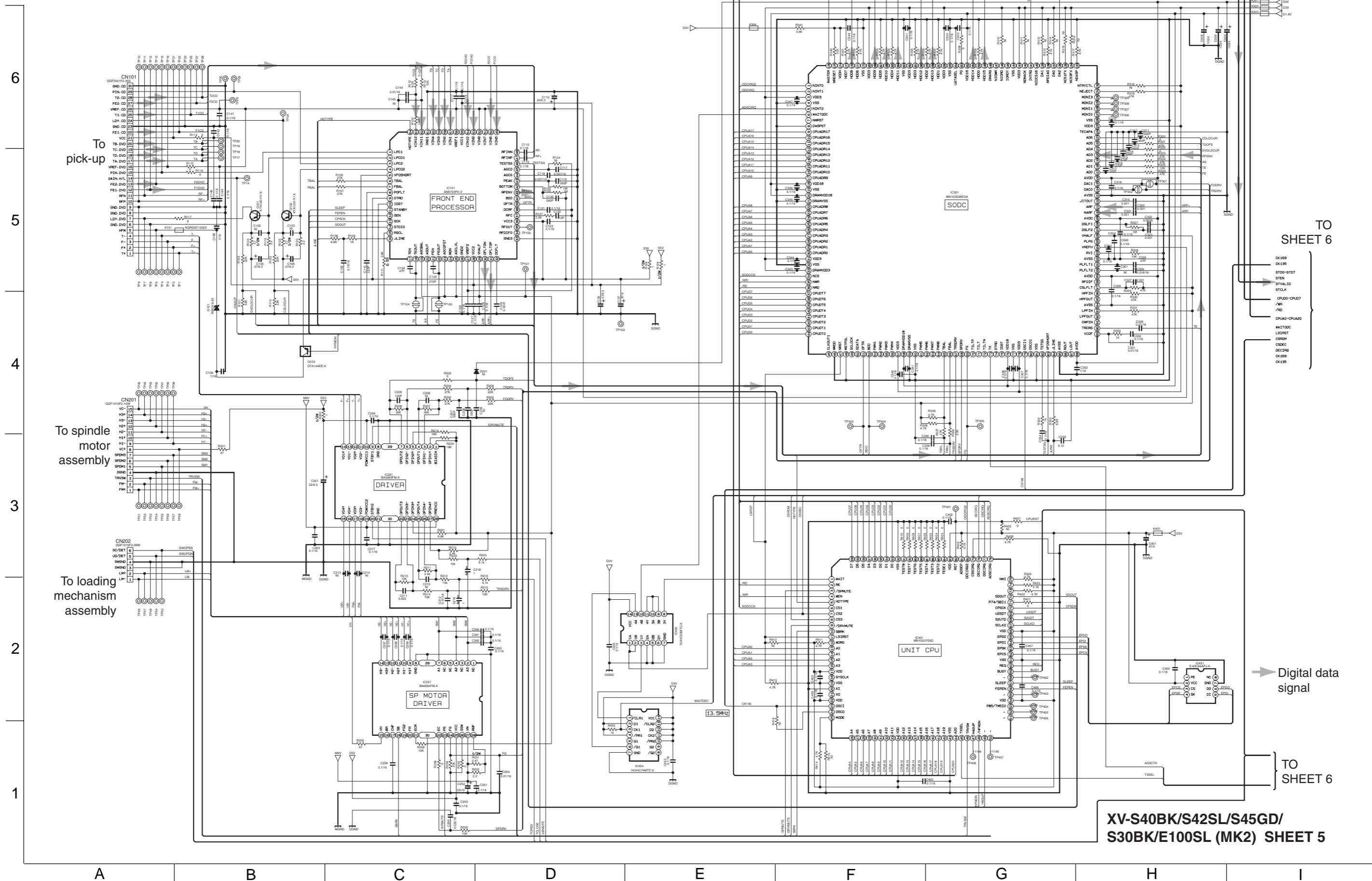
System control & audio signal DAC section



➡ Audio signal
➡ Video signal

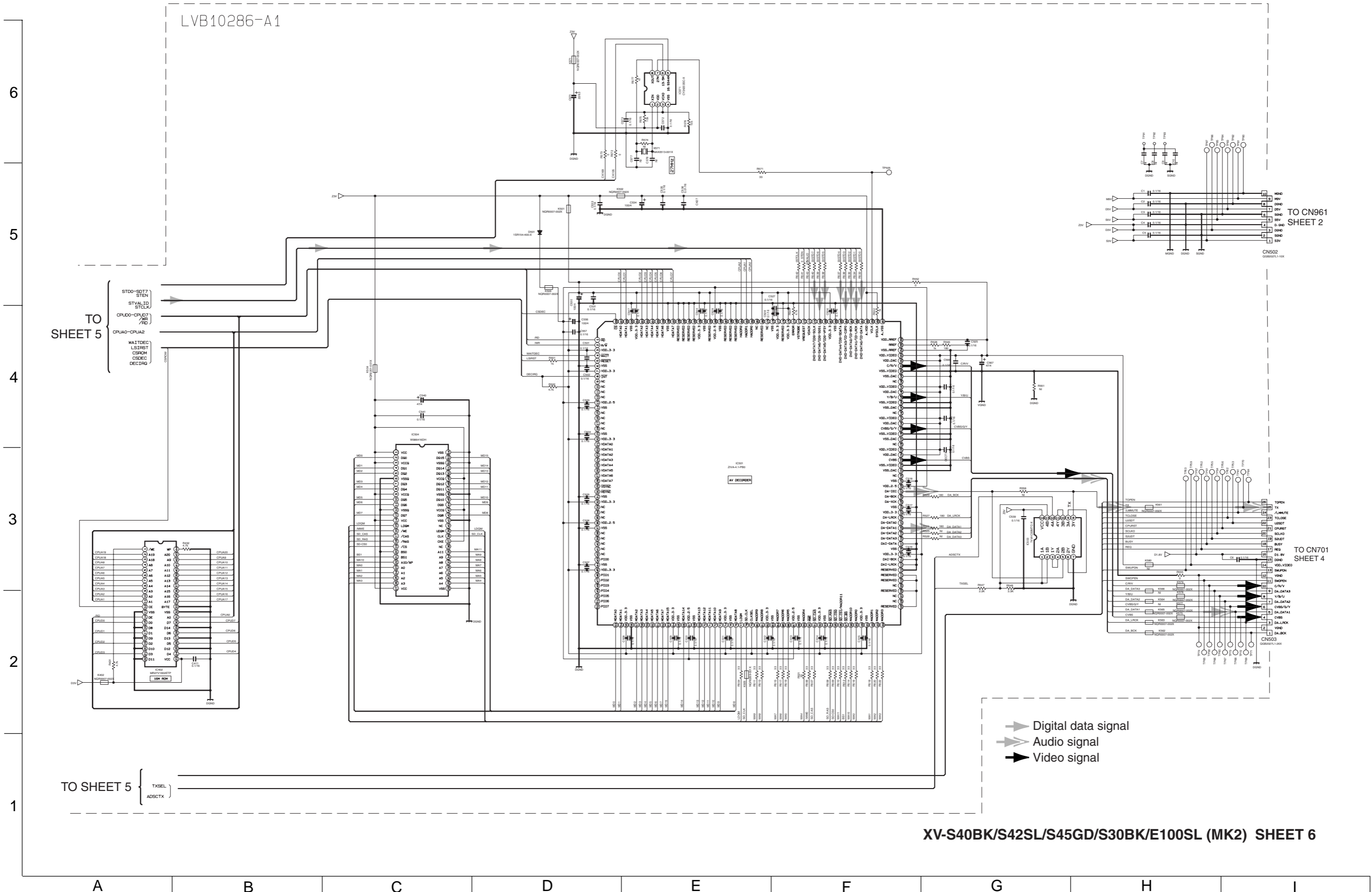
XV-S40BK/S42SL/S45GD/S30BK/E100SL (MK2) SHEET 4

■ DVD Servo control section



XV-S40BK/S42SL/S45GD/
S30BK/E100SL (MK2) SHEET 5

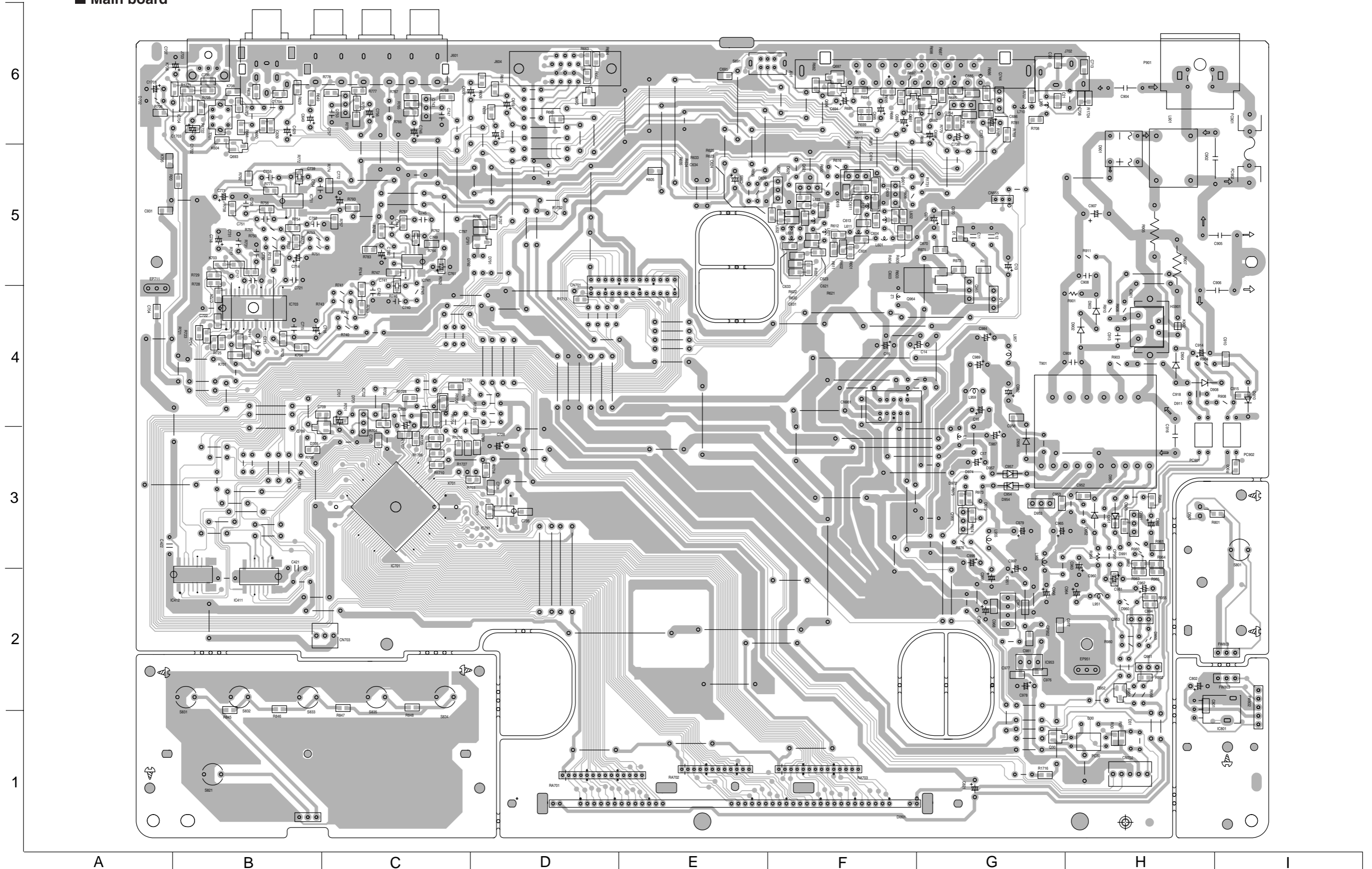
AV Decoder section



XV-S40BK/S42SL/S45GD/S30BK/E100SL (MK2) SHEET 6

Printed circuit boards

■ Main board



■ Loading motor board

